

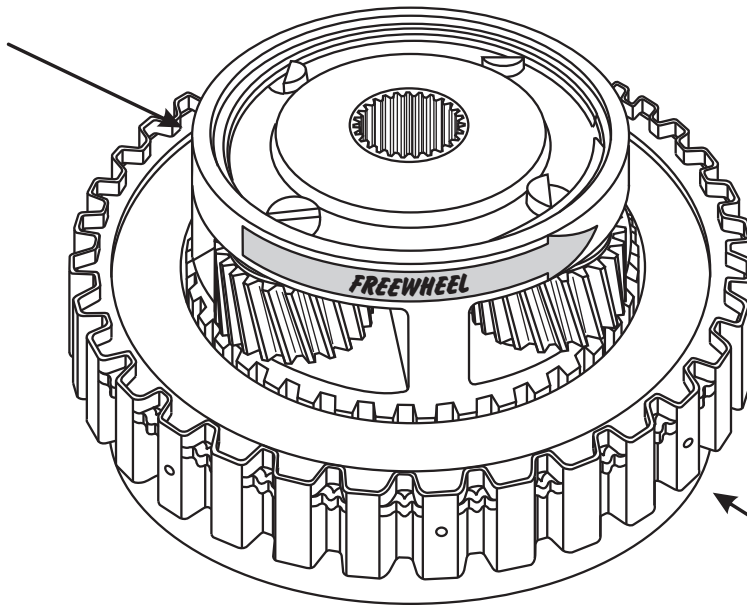
FREEWHEEL BOOK

THM 200-4R, 325-4L, OVERRUN ROLLER CLUTCH

*THE OVERDRIVE CARRIER MUST FREEWHEEL COUNTER CLOCKWISE
AND LOCK CLOCKWISE WHEN HOLDING OVERRUN CLUTCH DRUM*

**FREEWHEEL
OVERDRIVE
CARRIER**

200-4R

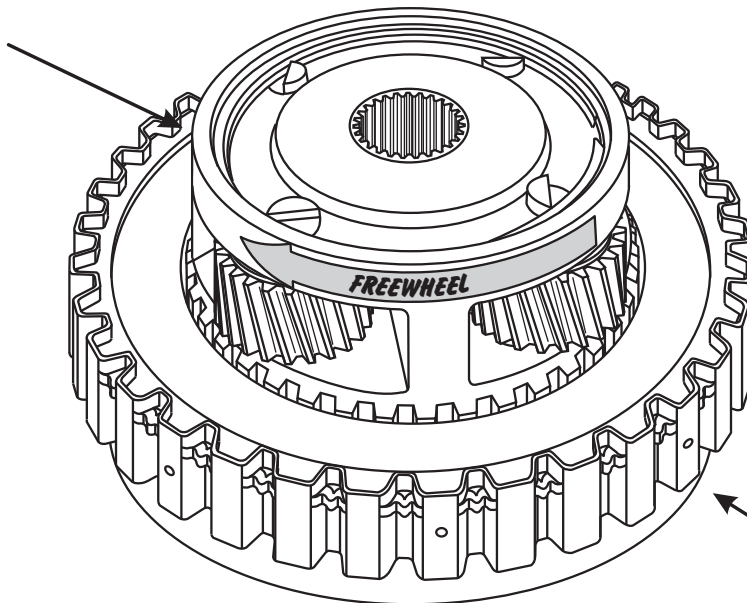


**HOLD
OVERRUN
CLUTCH DRUM**

*THE OVERDRIVE CARRIER MUST FREEWHEEL CLOCKWISE AND LOCK
COUNTER CLOCKWISE WHEN HOLDING OVERRUN CLUTCH DRUM*

**FREEWHEEL
OVERDRIVE
CARRIER**

325-4L



**HOLD
OVERRUN
CLUTCH DRUM**