

SOLENOID IDENTIFICATION AND LOCATIONS (CONT'D)

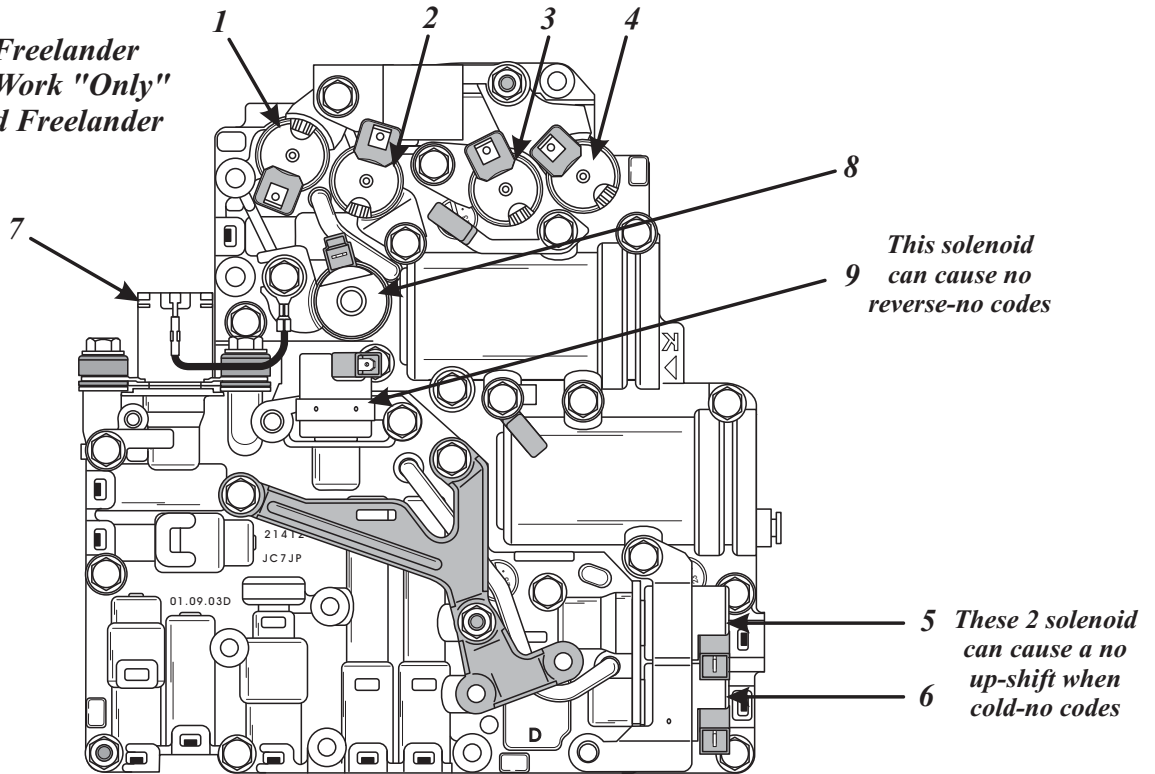
Jaguar/Frelander Solenoids

The Jaguar and Frelander solenoid locations and names are identified for you in Figure 57. The Jaguar and Frelander are the only two units where the solenoids will interchange. Again, the shift solenoid firing sequence is the same on all JF506E transaxles, and is also shown in Figure 57.

There are a total of nine (9) solenoids, which can be classified as two different types, because of the way in which they operate. Three of them are duty cycle solenoids, the other six are On/Off solenoids. All solenoids are actuated (energized) by a voltage feed from the TCM/ECU.

JAGUAR/FRELANDER SOLENOID IDENTIFICATION AND LOCATIONS

Jaguar And Frelander Solenoids Will Work "Only" On Jaguar And Frelander



Shift Solenoid Application Chart

Solenoid	1st	2nd	3rd	4th	5th
SSA		ON			ON
SSB	ON	ON	ON		
SSC	ON			ON	ON

Manufacturer	Jaguar/Frelander Solenoid Identification And Location								
	1	2	3	4	5	6	7	8	9
Jaguar, X Type And Land Rover, Frelander	Shift Solenoid "A"	Reduction Timing Solenoid	Shift Solenoid "B"	Shift Solenoid "C"	2/4 Brake Duty Solenoid	2/4 Brake Timing Solenoid	Line Pressure Solenoid	TCC Solenoid	Low Clutch Timing Solenoid

Copyright © 2008 ATSG

Figure 57