



FORD AX4S (AXOD-E) AND AX4N PRESSURE TAP LOCATIONS

Most technical manuals, including Ford Motor Company manuals, have the pressure tap locations identified wrong. Use the next two pages to correct your manuals at the shop for the correct pressure tap locations.

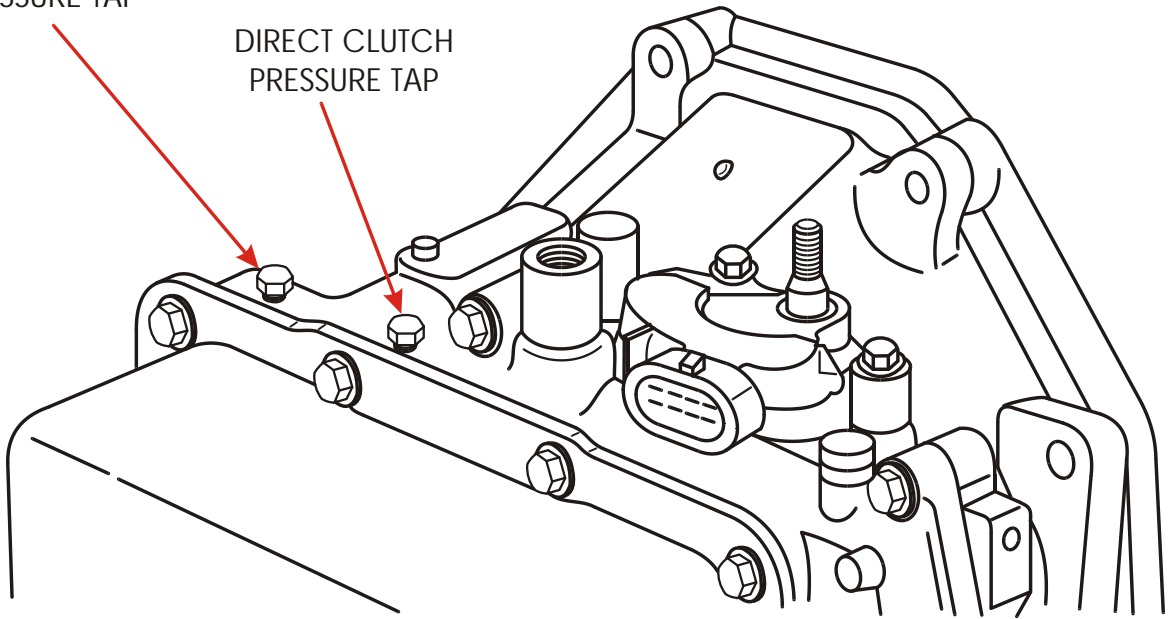
Refer to Figure 1 for the AX4S (AXOD-E) transaxle pressure tap locations.

Refer to Figure 2 for the AX4N transaxle pressure tap locations.

FORD AX4S (AXOD-E) "ONLY"

MAIN LINE
PRESSURE TAP

DIRECT CLUTCH
PRESSURE TAP



MAIN LINE
PRESSURE TAP

DIRECT CLUTCH
PRESSURE TAP

EPC PRESSURE TAP

COOLER LINE
FITTING

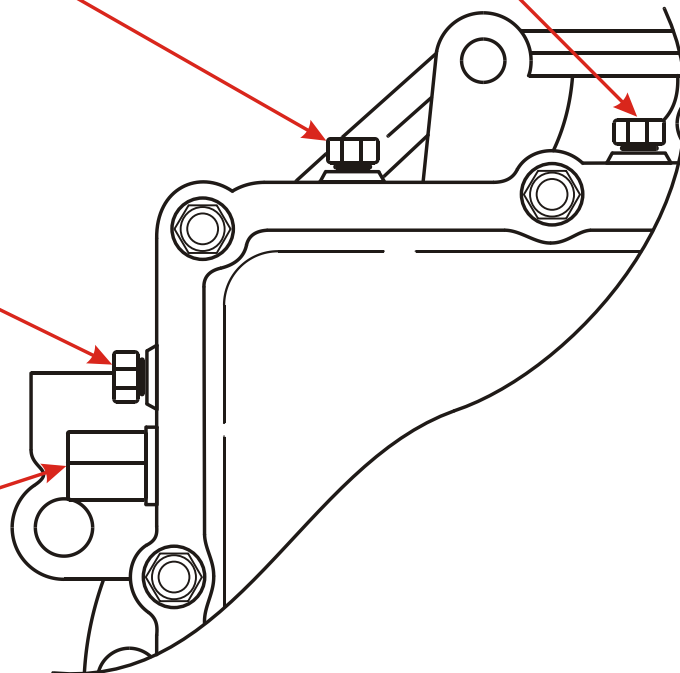
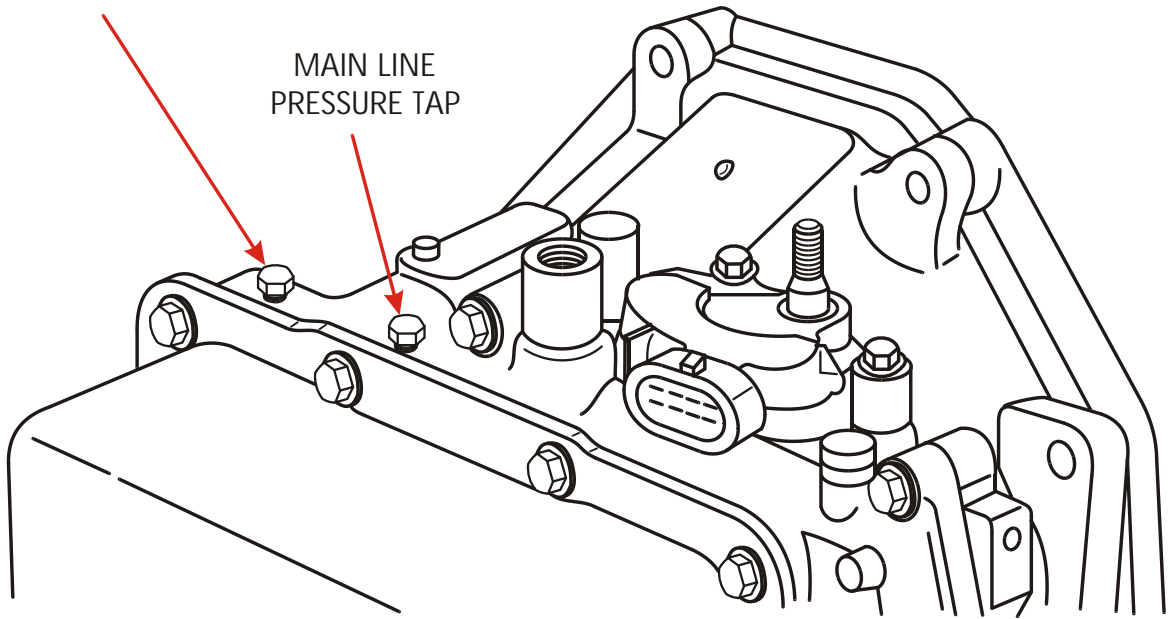


Figure 1

FORD AX4N "ONLY"

EPC PRESSURE TAP

MAIN LINE PRESSURE TAP



MAIN LINE PRESSURE TAP

EPC PRESSURE TAP

"NO" PRESSURE TAP
ON SIDE OF TRANSAXLE

COOLER LINE
FITTING

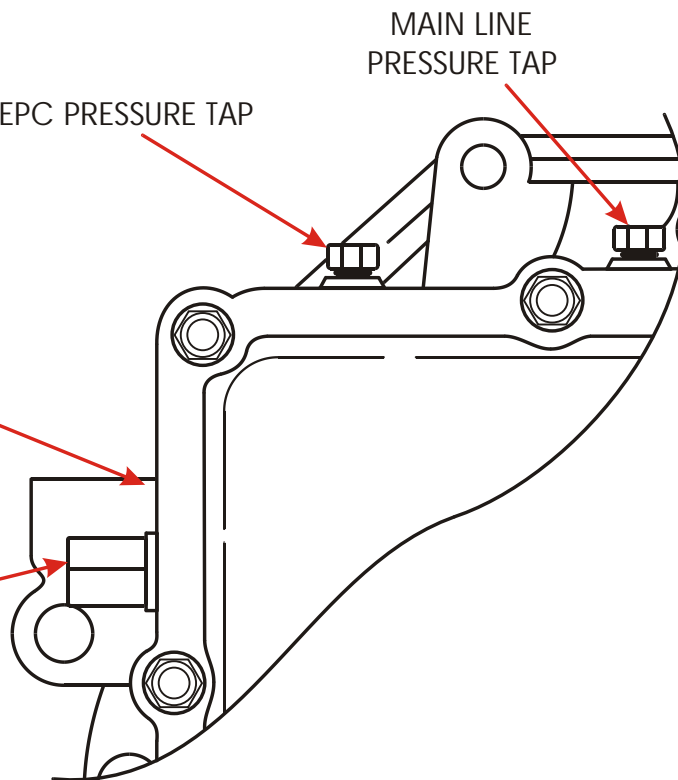


Figure 2