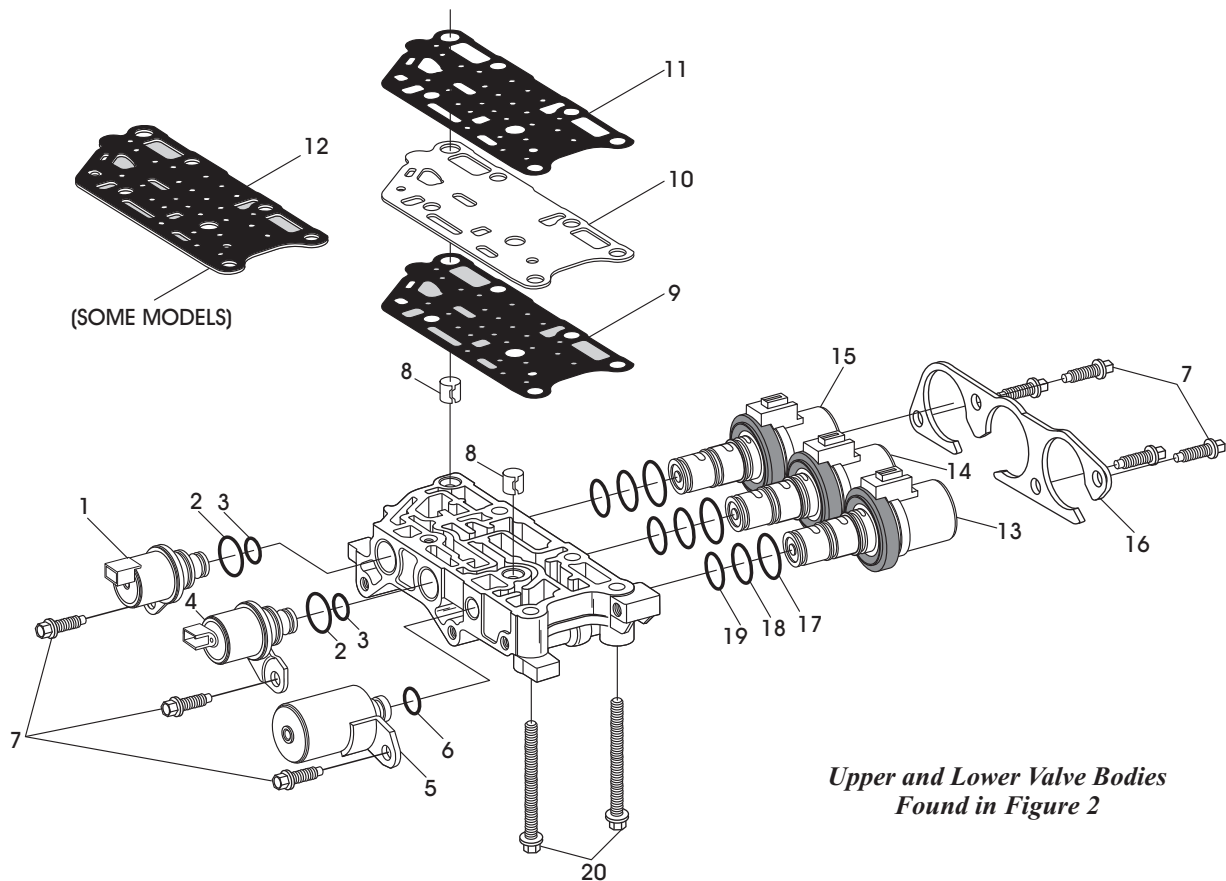


## MAIN SOLENOID BODY EXPLODED VIEW



*Upper and Lower Valve Bodies  
Found in Figure 2*

- |   |   |
|---|---|
| 1 ON-OFF SHIFT SOLENOID "E"                                   | 27 LOW/REVERSE SHIFT VALVE                                  |
| 2 SHIFT SOLENOID "D" AND "E" LARGE "O" RING SEAL              | 28 LOW/REVERSE SHIFT VALVE SPRING                           |
| 3 SHIFT SOLENOID "D" AND "E" SMALL "O" RING SEAL              | 29 VALVE LINE-UP RETAINER (7 REQUIRED)                      |
| 4 ON-OFF SHIFT SOLENOID "D"                                   | 30 SOLENOID PRESSURE REGULATOR VALVE SPRING                 |
| 5 PRESSURE CONTROL (EPC) SOLENOID "A"                         | 31 SOLENOID PRESSURE REGULATOR VALVE                        |
| 6 EPC SOLENOID "O" RING SEAL                                  | 32 UPPER VALVE BODY TO SPACER PLATE GASKET                  |
| 7 SOLENOID RETAINING BOLTS (7 REQUIRED)                       | 33 VALVE BODY SPACER PLATE                                  |
| 8 SOLENOID BODY TO LOWER V. B. ALIGNMENT DOWELS (2 REQ)       | 34 LOWER VALVE BODY TO SPACER PLATE GASKET                  |
| 9 SOLENOID BODY TO SPACER PLATE GASKET, WITH SCREENS          | 35 TORQUE CONVERTER RELIEF VALVE SPRING                     |
| 10 SOLENOID BODY SPACER PLATE                                 | 36 TORQUE CONVERTER RELIEF VALVE                            |
| 11 SOLENOID BODY SPACER PLATE TO LOWER V. B. GASKET           | 37 TORQUE CONVERTER CLUTCH CONTROL VALVE SPRING             |
| 12 SPACER PLATE WITH MOLDED GASKETS (SOME MODELS)             | 38 TORQUE CONVERTER CLUTCH CONTROL VALVE                    |
| 13 DUTY SOLENOID "A"  | 39 CLUTCH CONTROL VALVE SPRING                              |
| 14 DUTY SOLENOID "C"  | 40 CLUTCH CONTROL VALVE (MAZDA REFERS TO IT AS "BYPASS")    |
| 15 DUTY SOLENOID "B"  | 41 3-4 SHIFT VALVE SPRING                                   |
| 16 DUTY SOLENOID RETAINING PLATE                              | 42 3-4 SHIFT VALVE  |
| 17 DUTY SOLENOID LARGE "O" RING SEAL (3 REQUIRED)             | 43 DUTY SOLENOID "A" ACCUMULATOR SPRING                     |
| 18 DUTY SOLENOID MEDIUM "O" RING SEAL (3 REQUIRED)            | 44 DUTY SOLENOID "A" ACCUMULATOR PISTON                     |
| 19 DUTY SOLENOID SMALL "O" RING SEAL (3 REQUIRED)             | 45 SOLENOID SHIFT VALVE                                     |
| 20 SOLENOID BODY TO CASE BOLTS, 71mm LENGTH (2 REQUIRED)      | 46 SOLENOID SHIFT VALVE SPRING                              |
| 21 MANUAL SHIFT VALVE   | 47 MAIN PRESSURE REGULATOR VALVE                            |
| 22 SOLENOID BODY RETAINING BOLTS, 59MM LENGTH (5 REQUIRED)    | 48 MAIN PRESSURE REGULATOR VALVE SPRING                     |
| 23 UPPER VALVE BODY CASTING                                   | 49 MAIN PRESSURE REGULATOR VALVE BORE PLUG                  |
| 24 VALVE BODY TO CASE SEALS (2 REQUIRED)                      | 50 MAIN PRESSURE REGULATOR VALVE BORE PLUG RETAINER         |
| 25 UPPER V. B. TO LOWER V. B. BOLTS, 32MM LENGTH (5 REQUIRED) | 51 LOWER V. B. TO UPPER V. B. ALIGNMENT DOWELS (2 REQUIRED) |
| 26 UPPER V. B. TO LOWER V. B. BOLTS, 40MM LENGTH (9 REQUIRED) | 52 LOWER VALVE BODY CASTING                                 |

Figure 1