

GM 4L60/65/70E
INPUT CARRIER CHANGE

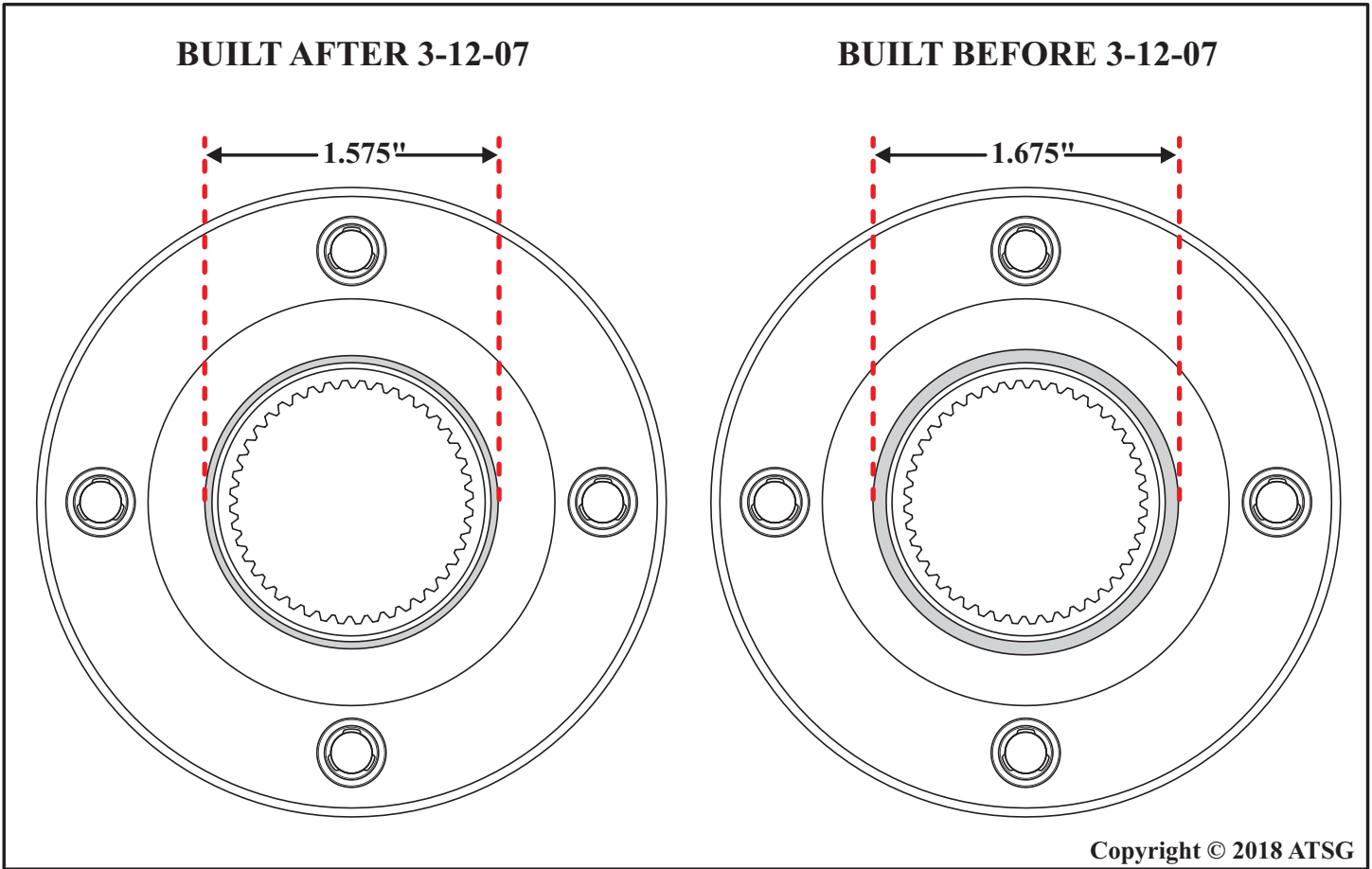


Figure 1

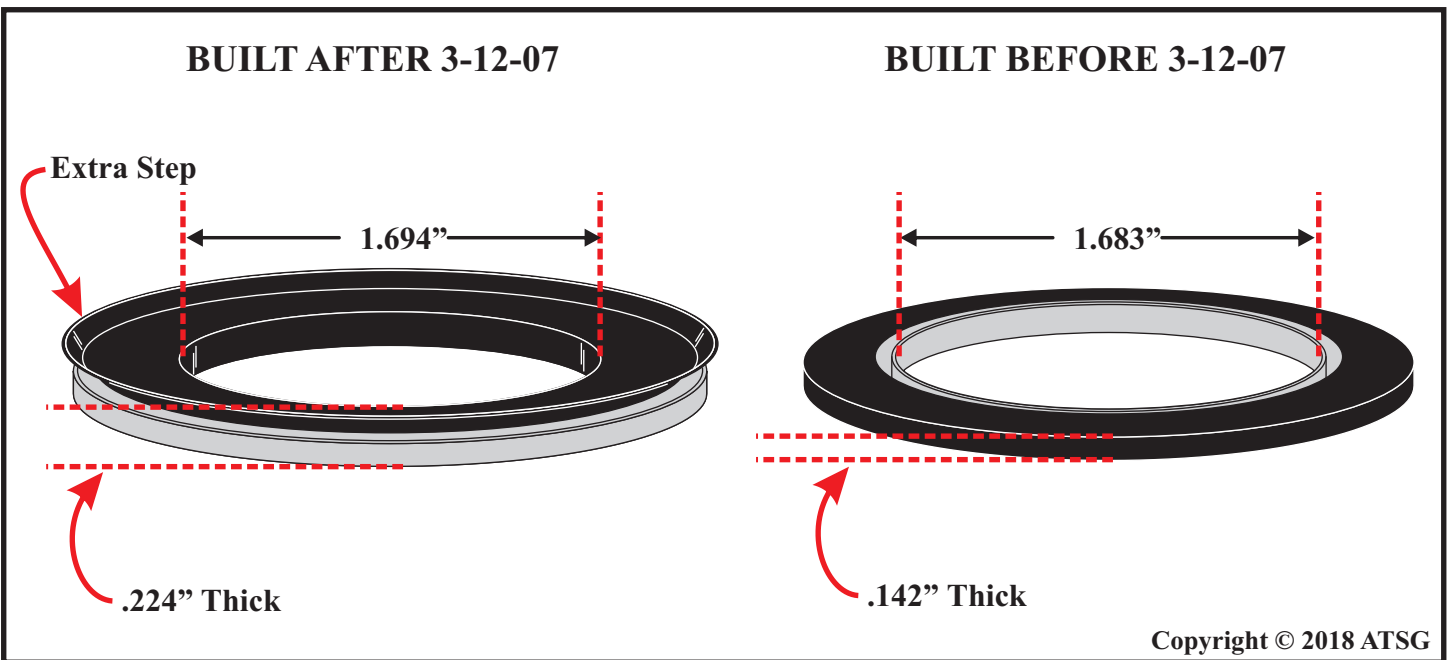


Figure 2