

GM 6L80/90 WRONG GEAR START & DELAY IN REVERSE

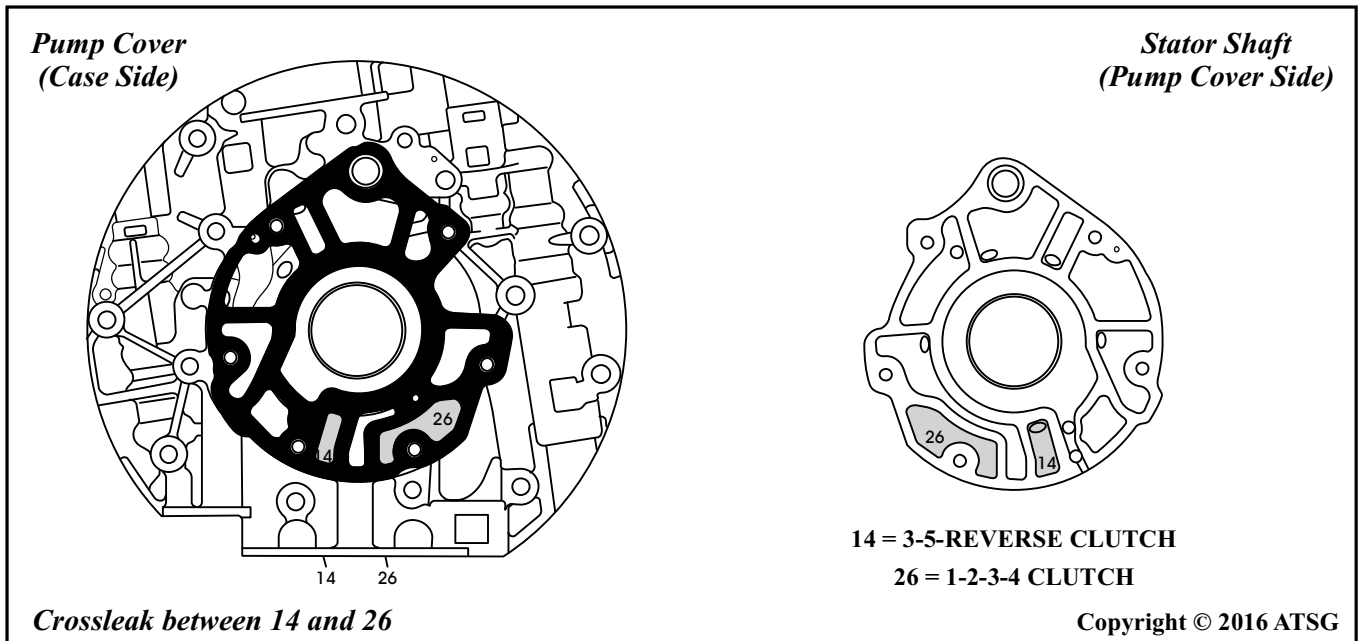


Figure 1

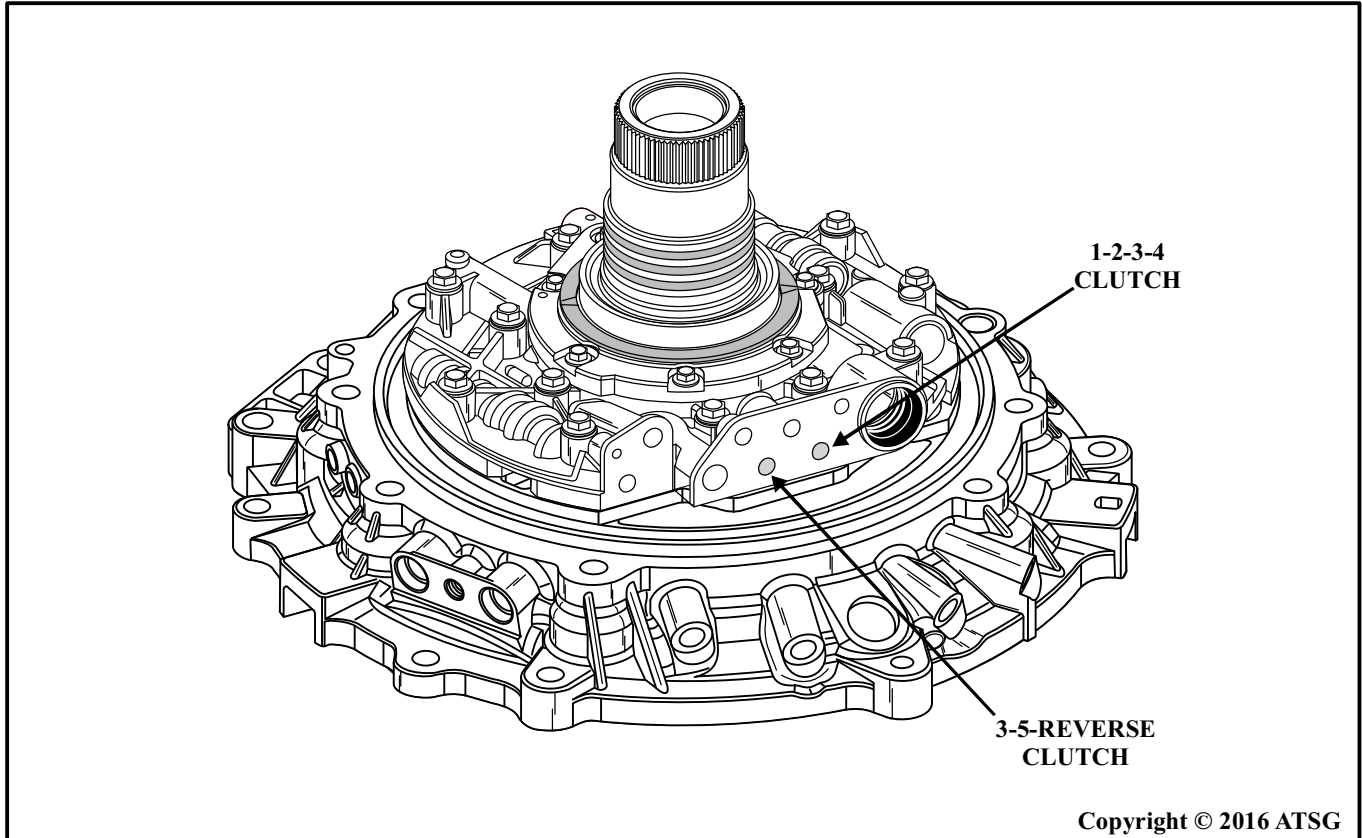


Figure 2