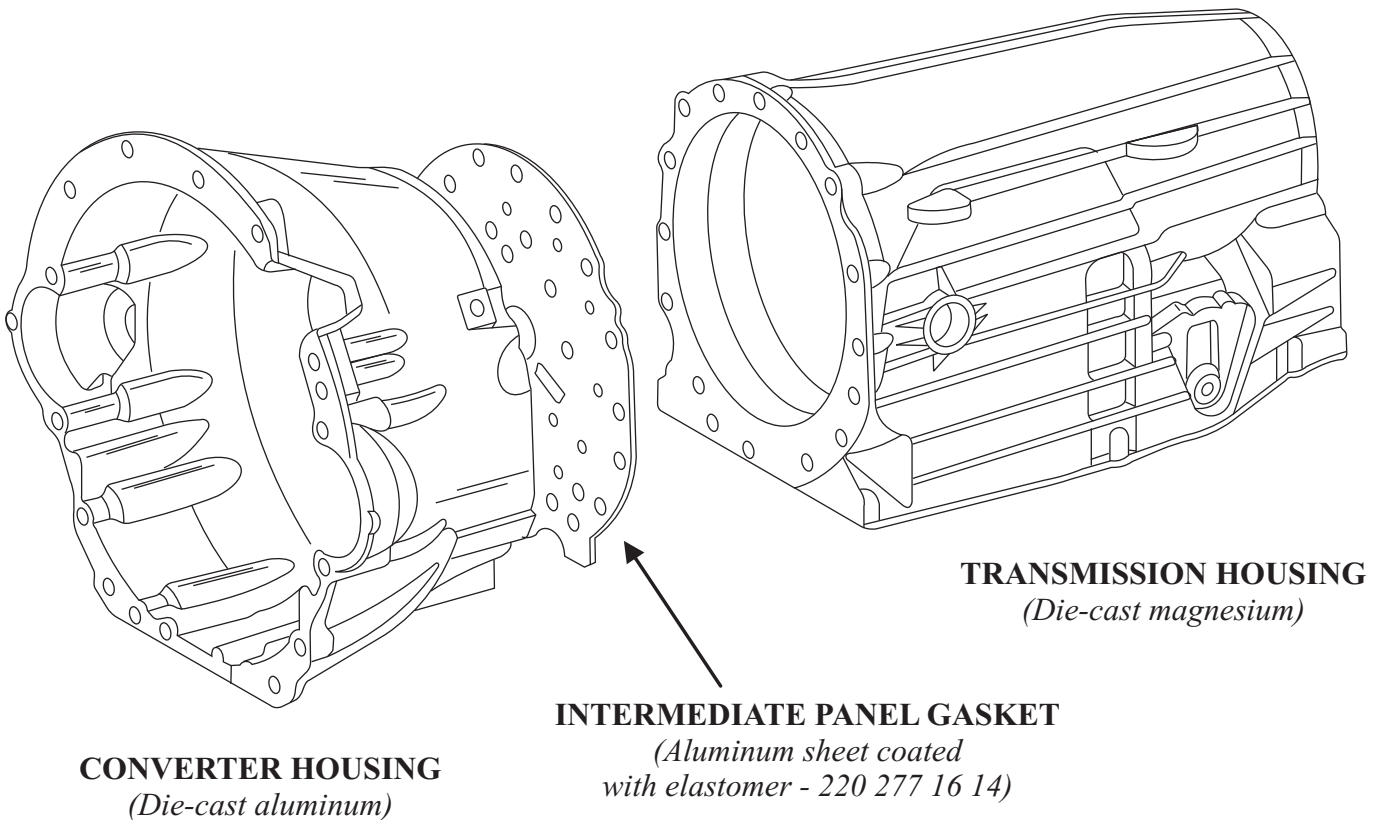


**MERCEDES BENZ 722.9  
TORQUE SPECS**

**NEW BOLTS AND INTERMEDIATE PLATE  
PACKAGE KIT PART NUMBER - 600 0000 64 10**



Converter housing is die-cast aluminum. The transmission housing is die-cast magnesium (reduced weight compared to aluminum 2.5kg/5.5lb). As a result this requires aluminum bolts since steel bolts have a different expansion rate and corrosion concerns. Part number for a package of bolts 140 990 46 01 (*B2 Housing Bolts 004 990 23 12 - 2 required*).

All aluminum bolts must be replaced if removed. The intermediate panel or gasket is made from an aluminum sheet with an elastomer coating and can be reused if there are no signs of damage to the elastomer coating. This gasket extends out beyond the sealing surfaces of the converter and transmission housing to prevent water from settling on the transmission housing. Standing water (especially salt water) can corrode magnesium in as little as eight weeks.

Many thanks to Eddie Rose from Mansfield, UK for providing the following Converter Housing to Case Torque Specifications:

- Stage 1 - Tighten to 10 Nm (*88.51 in-lbs*)
- Stage 2 - Turn an additional 90 degrees