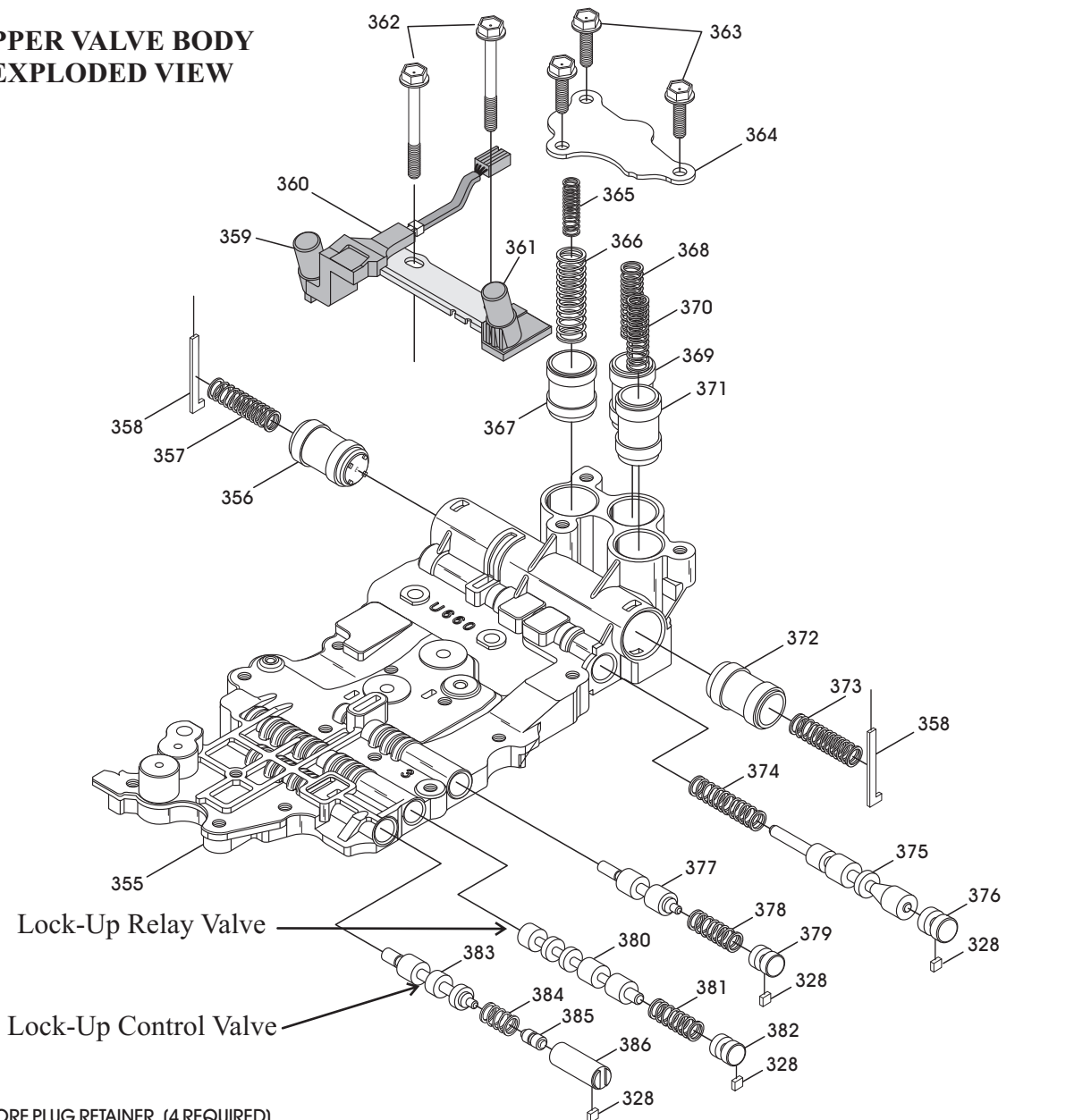


TOYOTA U660-E
HARSH TCC APPLY

UPPER VALVE BODY
EXPLODED VIEW



- | | |
|--|---|
| 328 BORE PLUG RETAINER (4 REQUIRED). | 372 B3 ACCUMULATOR PISTON. |
| 355 UPPER VALVE BODY CASTING. | 373 B3 ACCUMULATOR SPRING. |
| 356 C2 ACCUMULATOR PISTON. | 374 SECONDARY PRESSURE REGULATOR VALVE SPRING. |
| 357 C2 ACCUMULATOR SPRING. | 375 SECONDARY PRESSURE REGULATOR VALVE. |
| 358 C2 ACCUMULATOR RETAINER (2 REQUIRED). | 376 SECONDARY PRESSURE REGULATOR VALVE BORE PLUG. |
| 359 INPUT SPEED SENSOR (PART OF ASSEMBLY). | 377 REVERSE SEQUENCE VALVE. |
| 360 SPEED SENSOR AND HARNESS ASSEMBLY. | 378 REVERSE SEQUENCE VALVE SPRING. |
| 361 COUNTER GEAR (OUTPUT) SPEED SENSOR (PART OF ASSEMBLY). | 379 REVERSE SEQUENCE VALVE BORE PLUG. |
| 362 SPEED SENSOR ASSEMBLY RETAINING BOLTS. | 380 LOCK-UP RELAY VALVE. |
| 363 ACCUMULATOR COVER RETAINING BOLTS (3 REQUIRED). | 381 LOCK-UP RELAY VALVE SPRING. |
| 364 ACCUMULATOR COVER. | 382 LOCK-UP RELAY VALVE BORE PLUG. |
| 365 C1 ACCUMULATOR INNER SPRING. | 383 LOCK-UP CONTROL VALVE. |
| 366 C1 ACCUMULATOR OUTER SPRING. | 384 LOCK-UP CONTROL VALVE SPRING. |
| 367 C1 ACCUMULATOR PISTON (LARGER THAN THE OTHERS). | 385 LOCK-UP CONTROL BOOST VALVE. |
| 368 B2 ACCUMULATOR SPRING. | 386 LOCK-UP CONTROL BOOST VALVE SLEEVE. |
| 369 B2 ACCUMULATOR PISTON. | |
| 370 B1 ACCUMULATOR SPRING. | |
| 371 B1 ACCUMULATOR PISTON. | |

Copyright © 2013 ATSG

Figure 3
Automatic Transmission Service Group