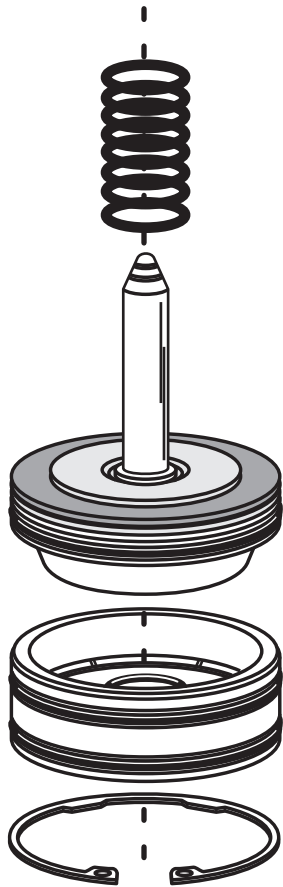


**AW55-50SN/AF33-5/RE5F22A
2-3 AND/OR 4-3 FLARE**

SERVO APPLY PINS

VOLVO/SAAB/GM



0 grooves - 76.20 mm - 24220756

1 groove - 76.68 mm - 24220757

2 grooves - 77.19 mm - 24220758

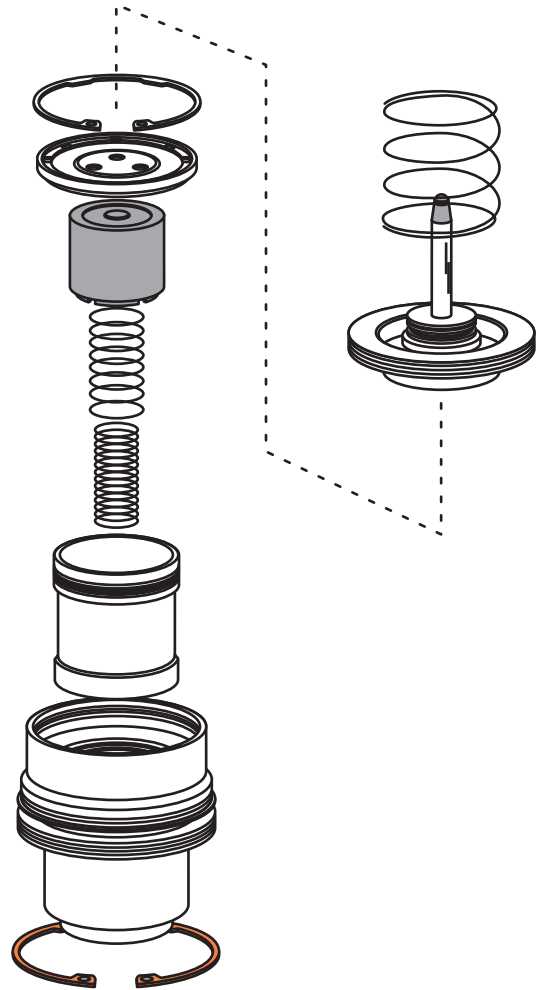
3 grooves - 77.70 mm - 24220759

4 grooves - 78.18 mm - 24220760

Servo Travel = 3.17 mm - 4.76 mm

0.125" - 0.1875" = 1/8" - 3/16"

NISSAN



0 grooves - 63.70 mm - 31615-8Y001

1 groove - 64.21 mm - 31615-8Y002

2 grooves - 64.70 mm - 31615-8Y003

3 grooves - 65.20 mm - 31615-8Y004

4 grooves - 65.71 mm - 31615-8Y005

Servo Travel = 3.17 mm - 4.76 mm

0.125" - 0.1875" = 1/8" - 3/16"

Figure 2