

5R55W/S**WATER IN THE TRANSMISSION**

COMPLAINT: The vehicle begins to develop driveability complaints and after a preliminary check of the oil condition, evidence of water contamination is found to be present.

CAUSE: The transmission vent hose is routed to the upper front of the bellhousing where it exits into a casting pocket of the case.

Directly above this area is an AC pipe which is constantly dripping condensate onto the top front of the bellhousing. This water fills up the cavity in the case where the open end of the vent hose is located and water pours into the vent line which allows this water from the AC pipe to get into the transmission. In Figure 1 the water line can be seen in the vent hose pocket from the accumulation of water from the AC line.

The water runs down the back of the engine turning all in it's path to rust as seen in Figure 2.

CORRECTION: In order to prevent this from happening again, a good fix would be to cut the vent hose just behind the bellhousing and install a vent cap into the end of the hose and relocate it out of harms way as seen in Figures 3 and 4.

Many thanks to Don Stone from AAA Quality Transmissions in Stuart Florida.

5R55W/S
WATER IN THE TRANSMISSION

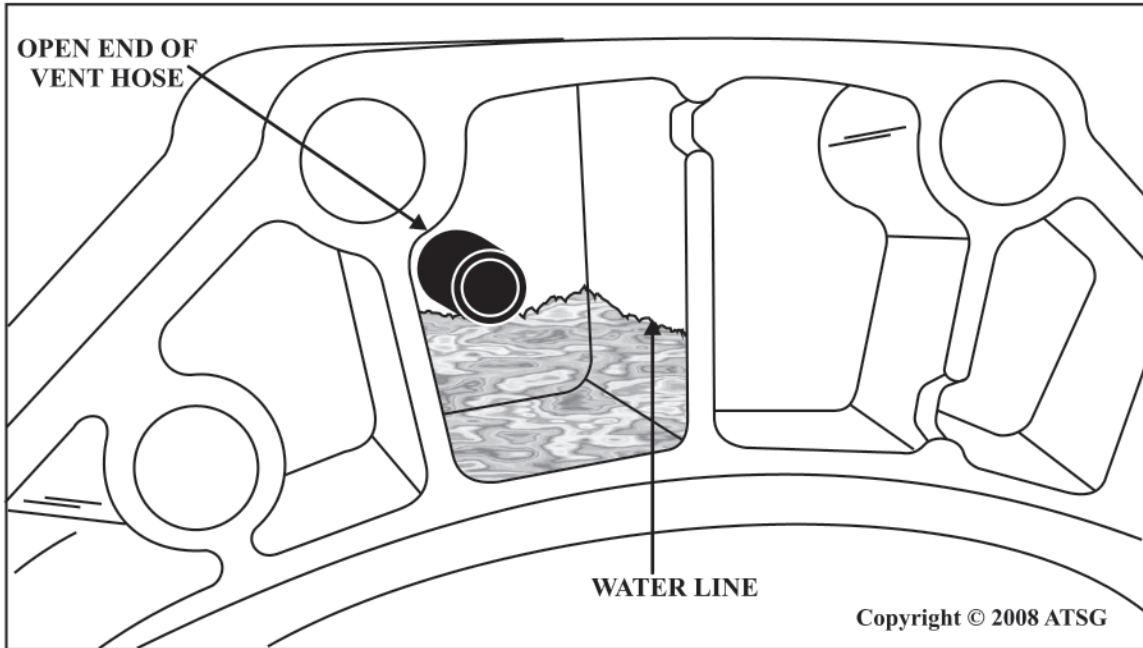


Figure 1

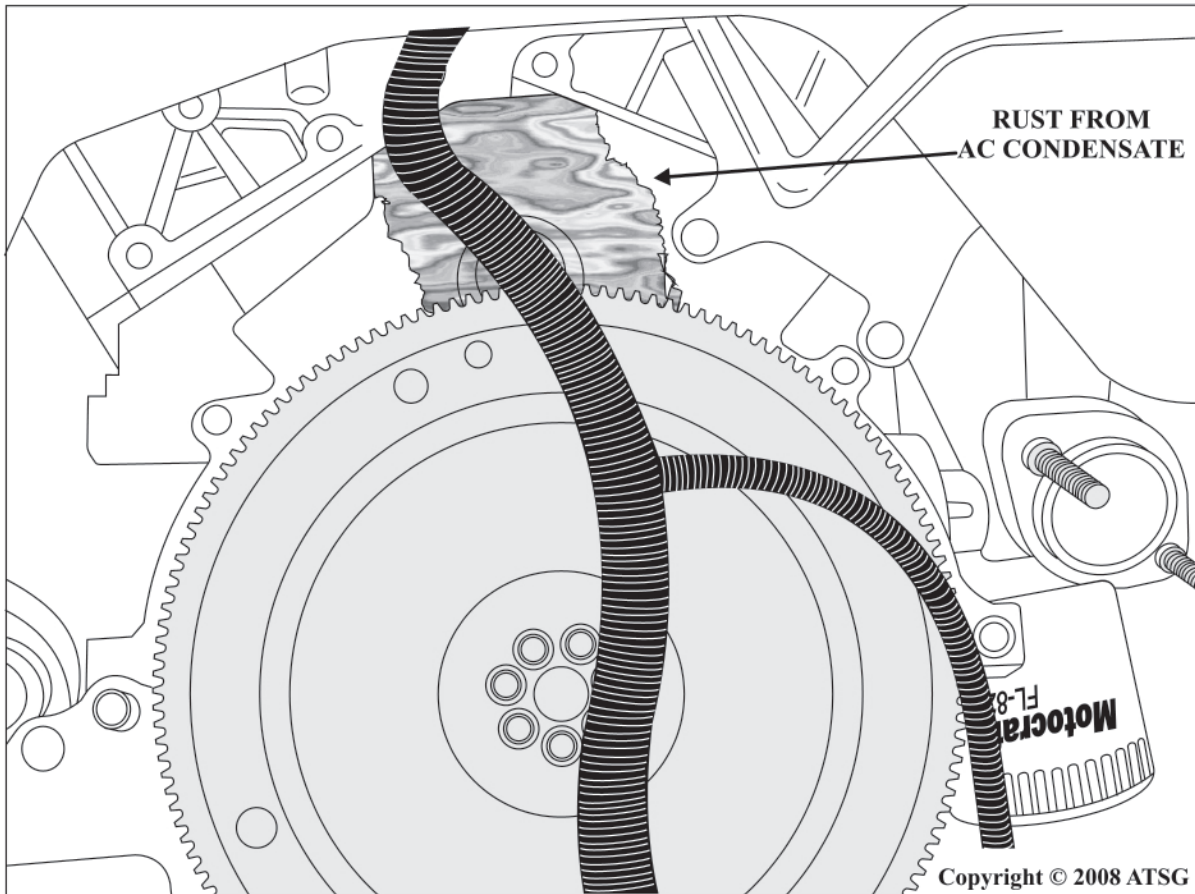


Figure 2

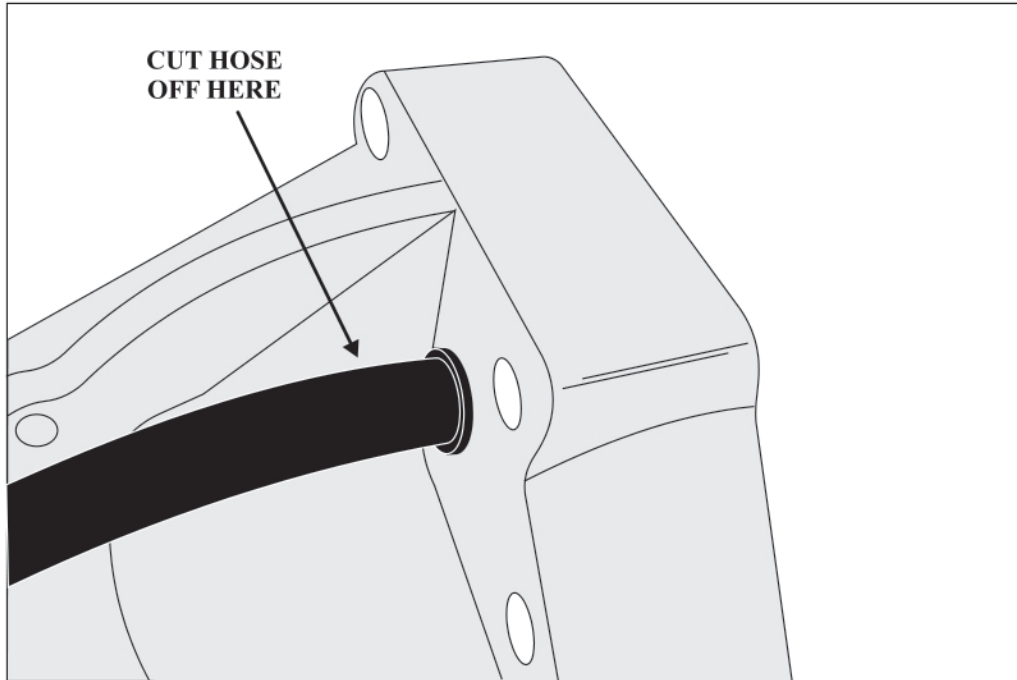
5R55W/S**WATER IN THE TRANSMISSION**

Figure 3

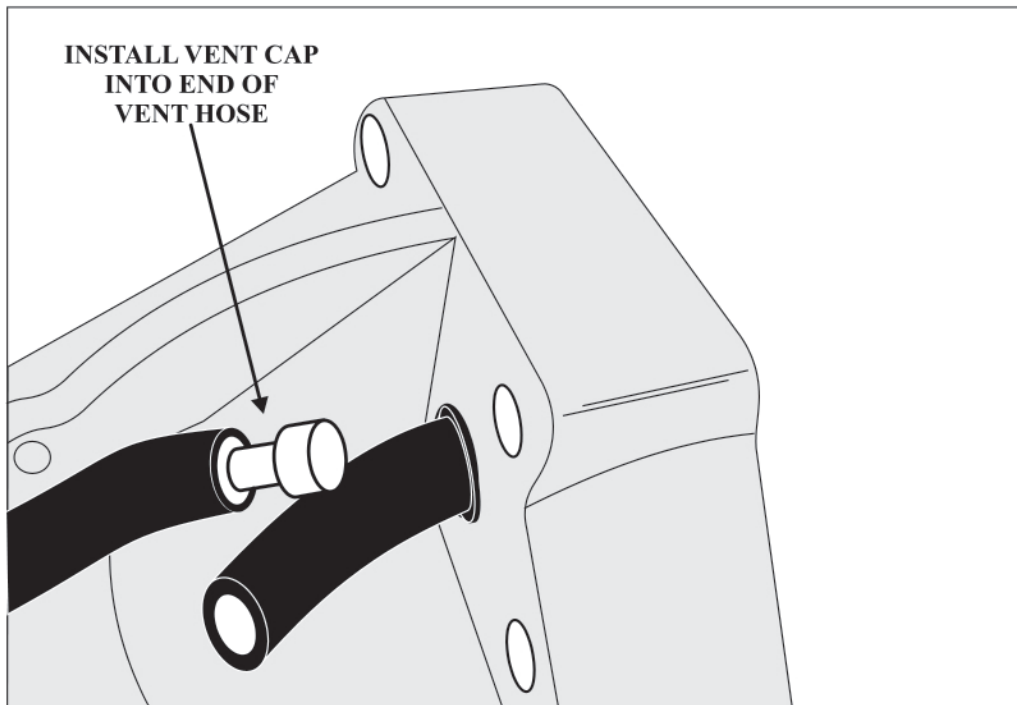


Figure 4