



45RFE

PUMP & PUMP COVER CHANGE

CHANGE: A running change was made to the 45/545RFE front pump and pump cover during the 2007 model year.

PARTS AFFECTED:

- (1) The previous design pump housing is aluminum and had a machined front hub with the front seal retained by the hub.
- (2) The pump cover an inner and outer seal and was retained by two snap rings at the inside and outside diameters. (Refer to figure 1).
- (3) The new design pump is steel and has no front hub, therefore it does not retain the front seal.
- (4) The pump cover now retains the front seal and is itself retained with only an outer snap ring, (Refer to figure 2).

INTERCHANGEABILITY:

The new design pump and cover will back service all models as a complete assembly. **HOWEVER**, the pressure regulator valve spring for 1999 to 2002 is different than the spring used for 2003 and later models. These springs are **NOT** interchangeable. If a 1999 to 2002 PR Valve Spring is used in a 2003 or later model, There will be a delayed engagement into drive and reverse.

Some 1999 to 2006 transmissions that have been factory re-manufactured, and have had the pump and cover replaced, may have the new design parts installed.

NOTE: The Steel pump cover will be stamped "45RFE" in order to differentiate it from the similar in appearance "68RFE" pump cover.

SERVICE INFORMATION:

<i>2007 & Later Pump & Steel Pump Cover.....</i>	<i>68009879AB</i>
<i>2003 - 2006 Aluminum Pump & Cover.....</i>	<i>5073004AB</i>
<i>1999 - 2002 Aluminum Pump & Cover.....</i>	<i>5072589AC</i>

45RFE PUMP & PUMP COVER CHANGE

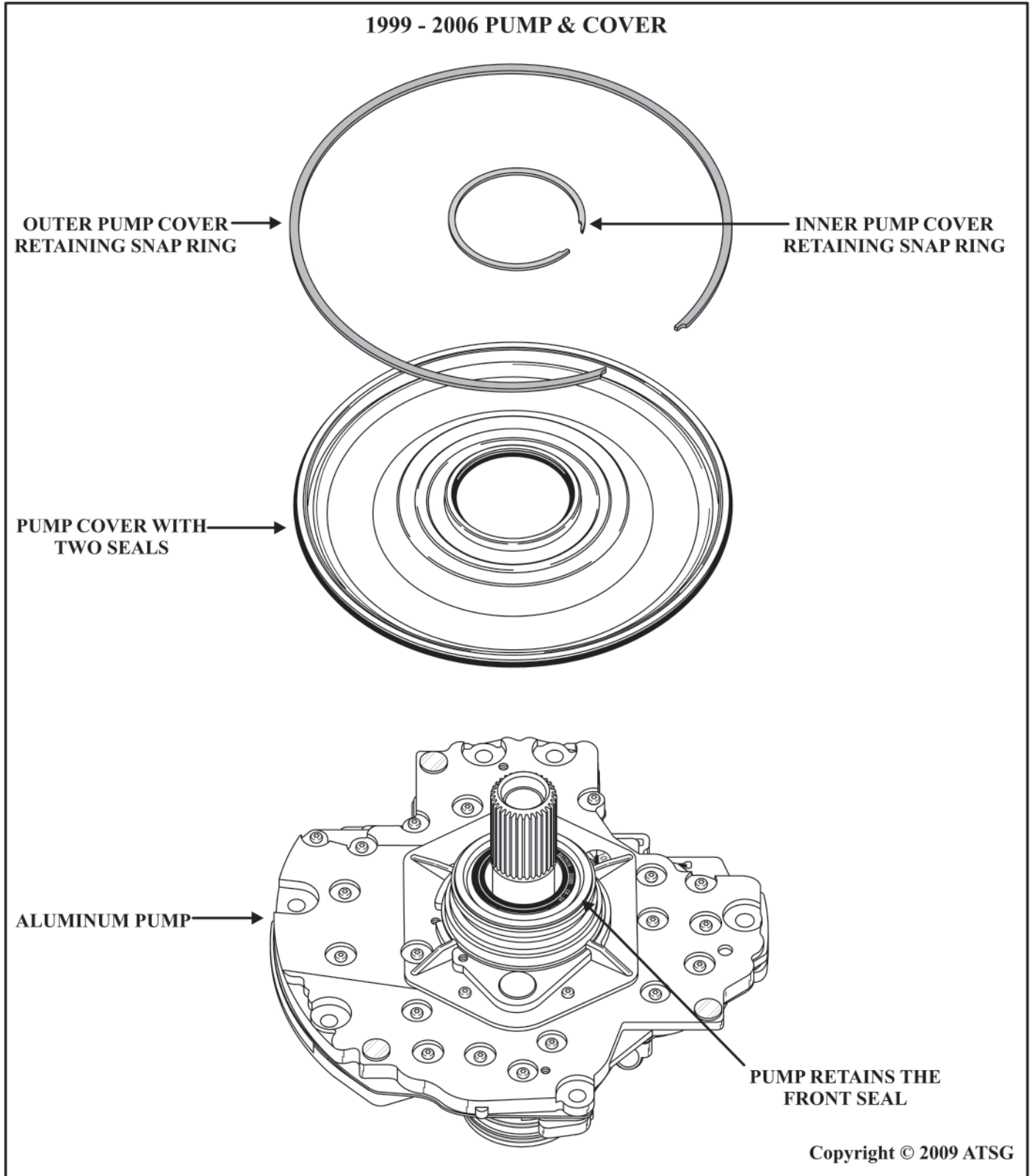


Figure 1

**45RFE
PUMP & PUMP COVER CHANGE**

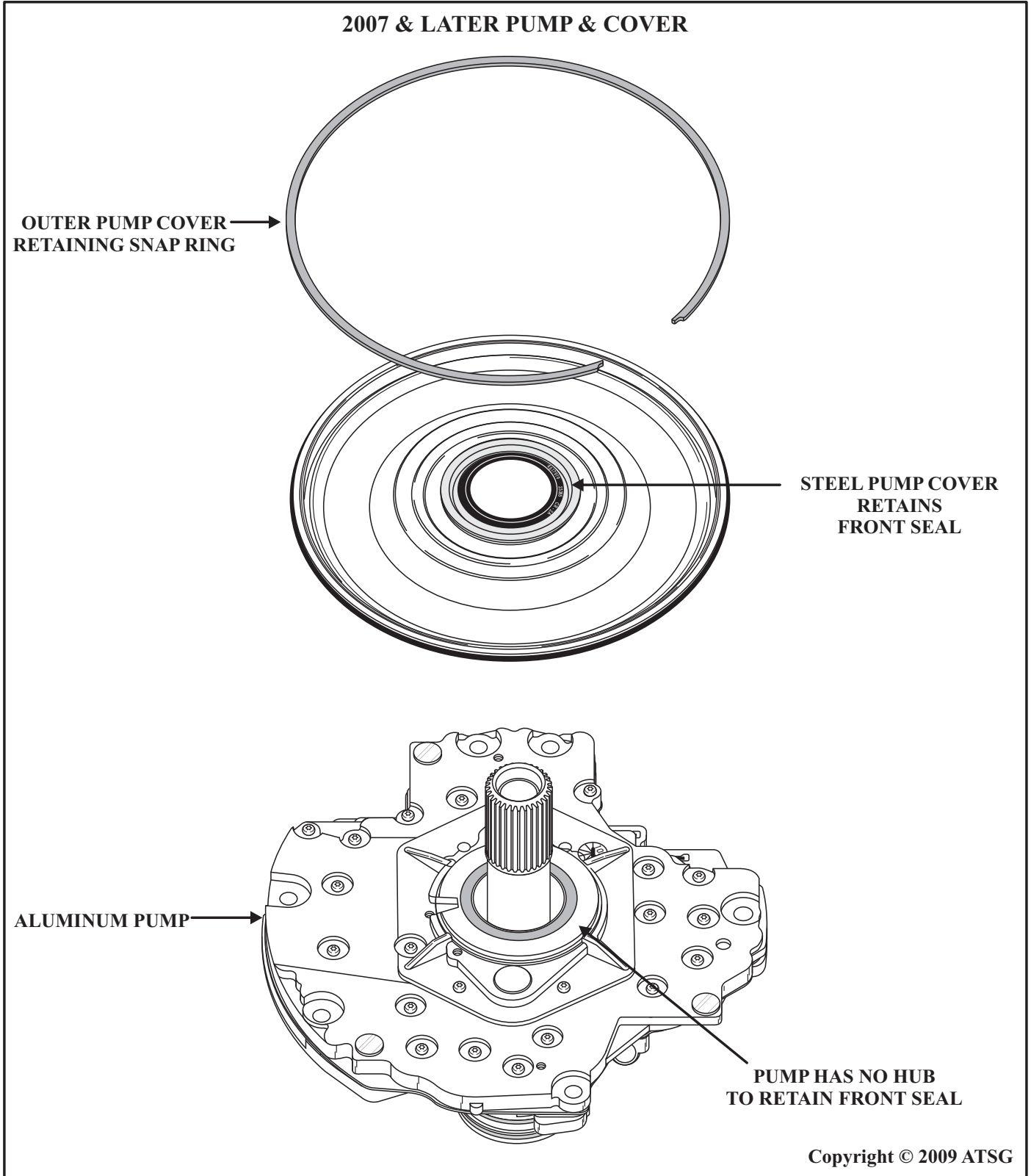


Figure 2