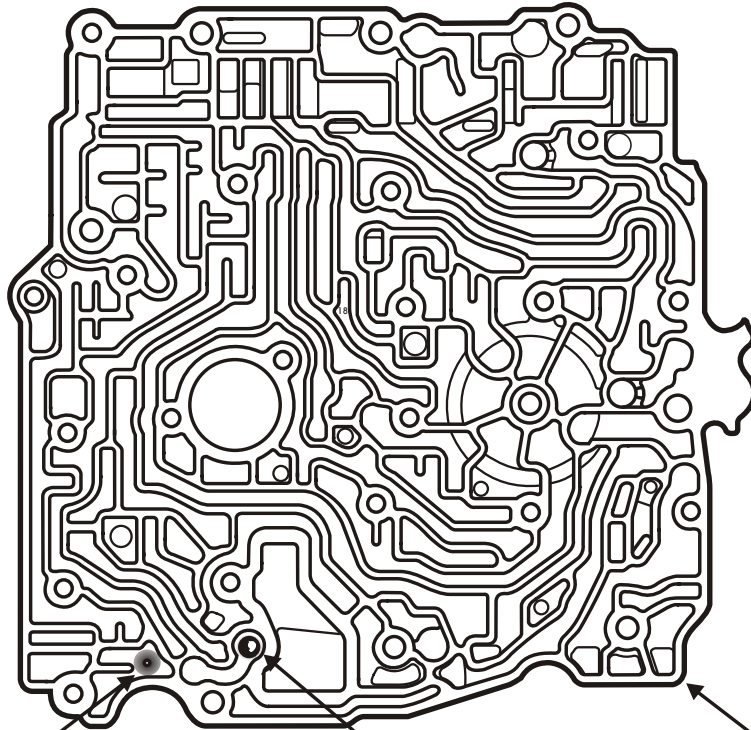


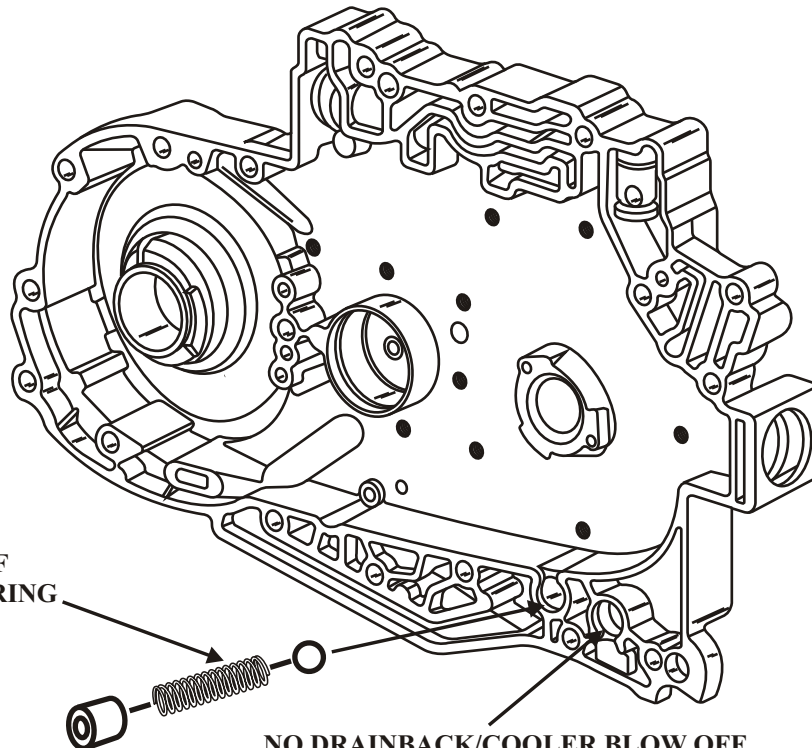
**4T65E TRANSMISSIONS BUILT BEFORE 1/19/04**



**NO DRAINBACK/COOLER BLOW OFF  
CHECKBALL & SPRING**

**TCC BLOW-OFF  
CHECKBALL & SPRING  
(LOCATION CORRECTION)**

**CHANNEL PLATE  
(VALVE BODY SIDE)**

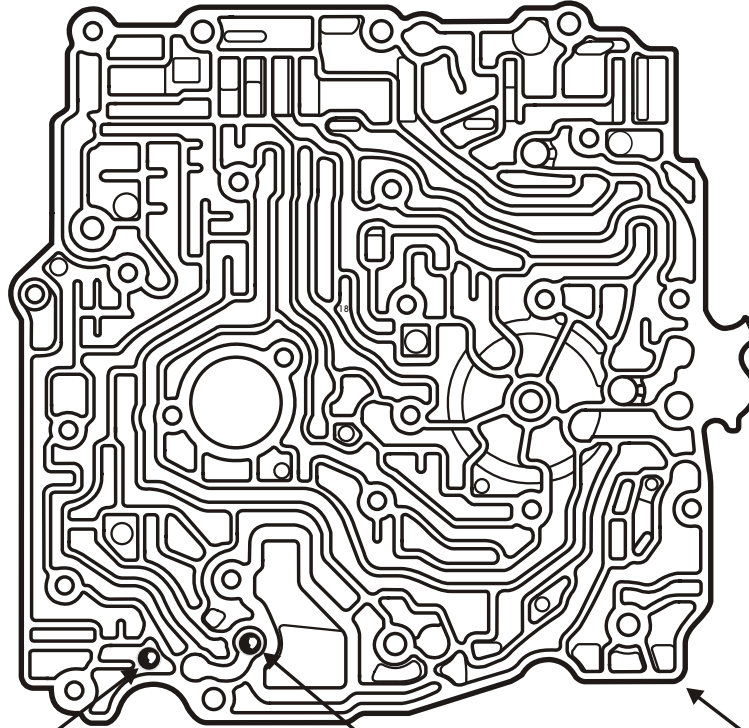


**TCC BLOW-OFF  
CHECKBALL & SPRING**

**NO DRAINBACK/COOLER BLOW OFF  
CHECKBALL & SPRING**

Figure 1  
Automatic Transmission Service Group

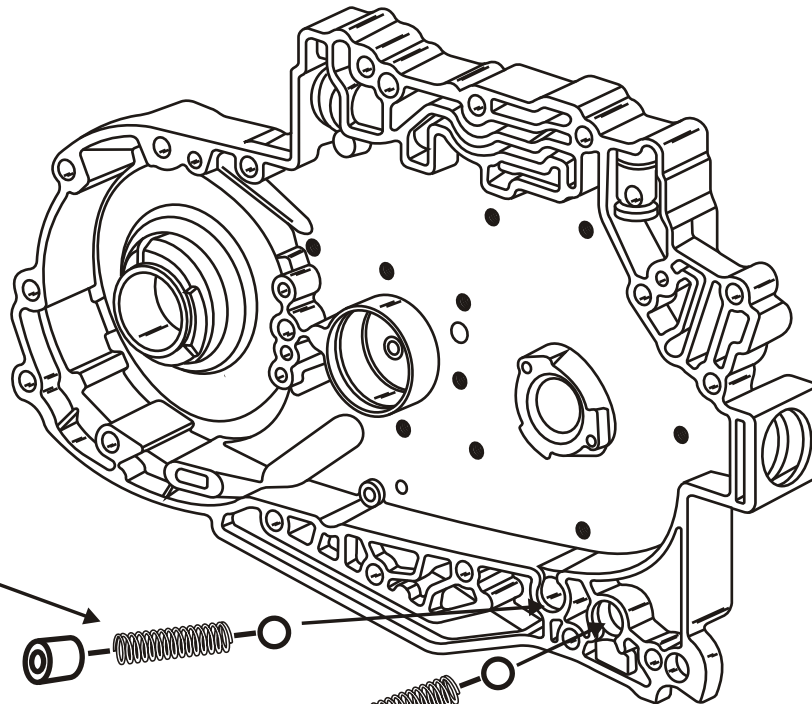
**4T65E TRANSMISSIONS BUILT AFTER 1/19/04**



**DRAINBACK/COOLER BLOW OFF  
CHECKBALL & SPRING**

**TCC BLOW-OFF  
CHECKBALL & SPRING  
(LOCATION CORRECTION)**

**CHANNEL PLATE  
(VALVE BODY SIDE)**



**TCC BLOW-OFF  
CHECKBALL & SPRING**

**DRAINBACK/COOLER BLOW OFF  
CHECKBALL & SPRING**

Figure 2