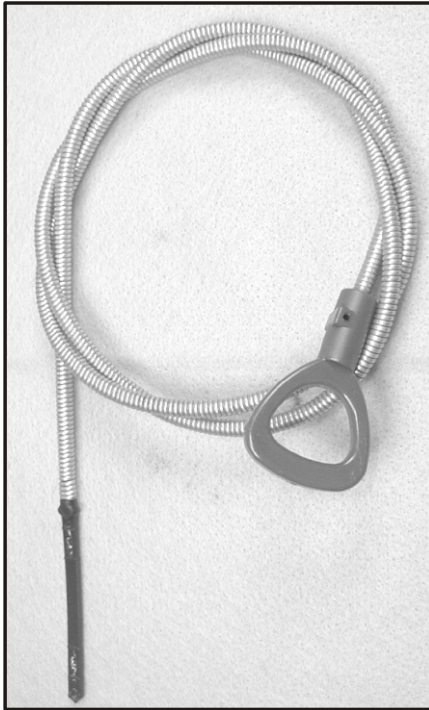


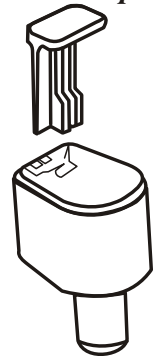
DIPSTICK USAGE

FLUID CHECKING PROCEDURE



**STEP 1: REMOVE
LOCK WITH
A SCREWDRIVER**

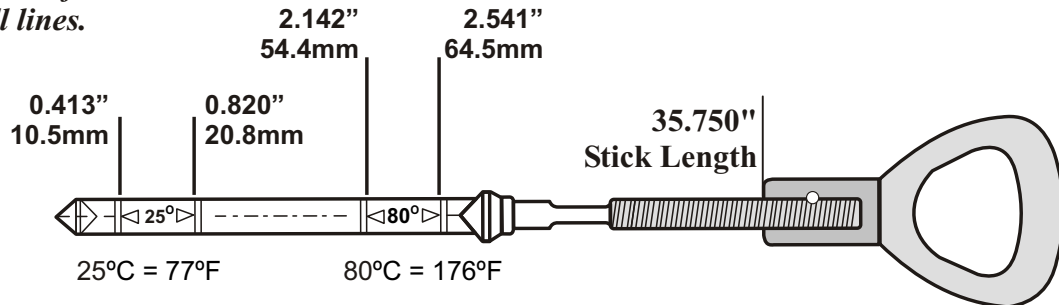
*Part # 05093746AA
for a new lock pin.*



**STEP 2:
REMOVE PLUG**



*Approximate measurements taken
from the bottom of the stick to the
individual fill lines.*



STEP 3: USE THIS TOOL TO CHECK FLUID LEVEL

Figure 3