

2000 & LATER DODGE TRUCKS & VANS

INTERNAL LINKAGE AND SAFETY NEUTRAL SWITCH CHANGES

COMPLAINT: After a valve body exchange, the vehicle does not start or the detent lever cannot clear the safety neutral switch.

CAUSE: The safety neutral switch and the valve body detent lever changed for the 2000 model year. The switch is longer and the detent lever dimensionally changed to accommodate the new switch. Figures 1 and 2 show the dimensional differences between the previous and current design detent levers. Figures 3 and 4 illustrate the correct and incorrect assembly using the short switch. Figure 5 shows the correct assembly using the long switch.

It is unnecessary to show the incorrect assembly of the long switch, as it will be impossible to install either the valve body assembly or the switch with that combination.

CORRECTION: The detent lever with the **red** plastic insert goes with the **long** safety neutral switch. The detent lever with the **turquoise** plastic insert goes with the **short** safety neutral switch.

A special thanks to Paul Tinges from Hardparts For Transmissions for sharing this information and for supplying the photos to make this bulletin possible.

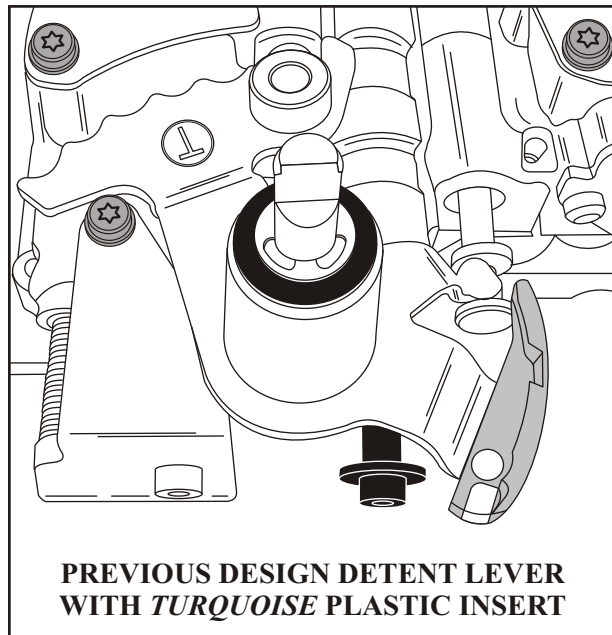


Figure 1

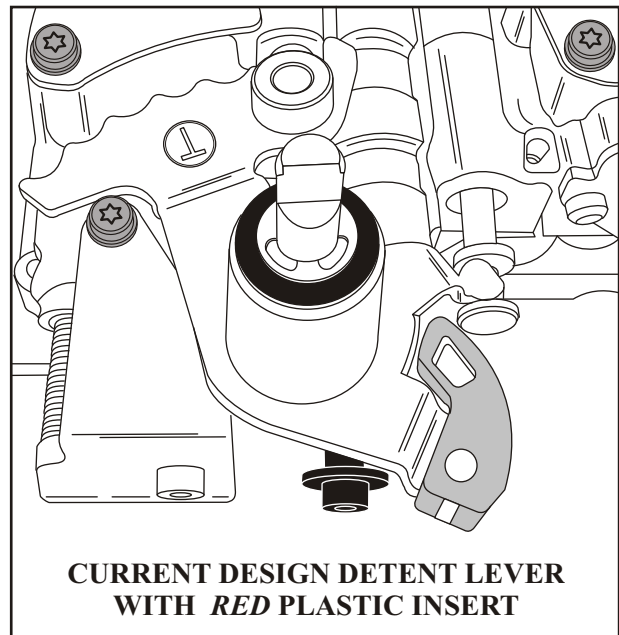


Figure 2